

# VERMEIREN

9300 – 9301 –  
9302 – 9303

USER MANUAL



9302



9300





## Contents

<b>Contents</b> .....	<b>1</b>
<b>1 Preface</b> .....	<b>2</b>
<b>2 This product</b> .....	<b>3</b>
<b>3 Before use</b> .....	<b>4</b>
3.1 Intended use .....	4
3.2 General safety instructions .....	4
3.3 Symbols on the wheelchair/commode chair .....	5
3.4 Transport .....	5
3.5 Storage .....	5
<b>4 Using your wheelchair/commode chair</b> .....	<b>6</b>
4.1 Armrest .....	6
4.2 Brakes .....	6
4.3 Comfort adjustments .....	7
4.4 Moving to/from the chair .....	8
4.5 Riding .....	8
<b>5 Assembly and adjustments</b> .....	<b>9</b>
5.1 Tools .....	9
5.2 Scope of delivery .....	9
5.3 Assembly .....	9
5.4 Adjustments .....	9
<b>6 Maintenance</b> .....	<b>11</b>
6.1 Points of maintenance .....	11
6.2 Instructions for maintenance .....	11
6.3 Troubleshooting .....	12
6.4 End of use .....	12
<b>7 Technical specifications</b> .....	<b>13</b>



# 1 Preface

Congratulations! You are now owner of a Vermeiren wheelchair/commode chair!

This chair is made by qualified and committed personnel. It is designed and produced according to high quality standards, guarded by Vermeiren.

Please read this manual carefully; it will help you to get familiar with the operation, capabilities and limitations of your chair. If you still have questions after reading this manual, do not hesitate to contact your specialist dealer. He/she will be glad to help you.

**Important note**

To ensure your safety, and to prolong the lifetime of your product, please take good care of it and have it checked and serviced on a regular basis.

This manual reflects the latest product developments. Vermeiren has the right to implement changes to this type of product without any obligation to adapt or replace similar products previously delivered.

Pictures are used to clarify the instructions in this manual. Details of the depicted product may deviate from your product.

**Information available**

On our website <http://www.vermeiren.com/> you will always find the most recent version of the information in this manual. Please consult this website regularly for possible updates.

Visually impaired people can download the electronic version of this manual and have it read out by means of a text-to-speech software application.



Instruction manual

For user and specialist dealer



Service manual for wheelchairs

For specialist dealer



EC declaration of conformity

## 2 This product

The wheelchairs/commode chairs of the 9300 series are easy to operate. Their use depends on the model. Table 1 of chapter 7 summarises the technical specifications of these models.

General characteristics:

- Metal alloy frame;
- Upholstery in washable and fireproof material;
- Reclining anatomic backrest with push bar; adjustable and removable;
- Padded and removable armrests;
- Footrests with operating lever;
- PVC bowl under seat (optional);
- Closing seal for seat with handle for removal.

The pictures on this page show all parts that are relevant for the user.

**Model 9303**



**Model 9301**



1. BACKREST
2. ARM PAD
3. ARMREST WITH SIDE PLATE
4. FOOTREST OPERATING LEVER
5. FRONT WHEEL 24"
6. HAND RIM
7. REAR WHEEL "STEERING"
8. PARKING BRAKE
9. FRAME
10. PUSH BAR
11. SEAT WITH REMOVABLE PART
12. LEG REST
13. CALF REST
14. FOOTPLATE
15. FRONT SWIVELLING WHEEL
16. REAR SWIVELLING WHEEL, WITH BRAKE
17. LOCKING KNOB FOR BACKREST INCLINATION



## 3 Before use

### 3.1 Intended use

In this paragraph a brief description of the intended use of your wheelchair/commode chair is given. Additionally, relevant warnings are added to the instructions in the other paragraphs. In this way we would like to make you aware of the possible misuse that may appear.

- Depending on the model, the wheelchair/commode chair is suitable for indoor and outdoor use or only for indoor use, see chapter 7.
- This wheelchair/commode chair is designed and produced solely as resting place and to transport/transfer one (1) person with a maximum weight of 100 kg.
- The chair is equipped with a seat with a removable part and two guiding strips for a PVC bowl, to be used as toilet. Without bowl, it can be used as toilet seat, but only if the toilet fits under the seat, see chapter 7 for dimensions.
- The chair is not designed to transport goods or objects, nor for any other use as previously described.
- The 9302 and 9303 commode chairs should be operated by an attendant. The 9300 and 9301 chairs can be operated by an attendant or by the user sitting in the chair.
- You should NOT use this wheelchair/commode chair without attendant if you suffer from physical or mental impairments that may put you, or other people, in danger. For this reason, consult your doctor first and make sure that your specialist dealer is informed about his/her advice. This also counts for the attendant operating the chair.
- If applicable, only use accessories and spare parts approved by Vermeiren.
- The warranty of this product is based on normal use and maintenance as described in this manual. Damage to your product caused by improper use or lack of maintenance will cause the warranty to lapse.

Please read all technical details and limits of your wheelchair/commode chair in §7.

### 3.2 General safety instructions

 CAUTION Risk of injuries and/or damage

Please read and follow the instructions in this manual.

Keep the following general warnings in mind during use:

- Be aware that some parts of your wheelchair/commode chair may get very hot or cold due to ambient temperature, solar radiation or heating devices. Be careful when touching. Wear protective clothing if the weather is cold.
- Do not modify your wheelchair/commode chair in any way.
- Take note of the instructions for care and service. The manufacturer is not liable for damage caused by improper servicing / care.

### 3.3 Symbols on the wheelchair/commode chair

The symbols in following list are applicable for your wheelchair/commode chair/commode chair. Symbols can be found in the relevant ISO standard (ISO 7000, ISO 7001 and IEC 417)



Maximum weight of user in kg



Indoor/outdoor use



Maximum safe slope in ° (degrees).



Not intended to be used as seat in a motor vehicle




Type designation



Risk of entrapment

### 3.4 Transport

 **WARNING** Risk of injuries

Do NOT use your wheelchair/commode chair as seat in a vehicle, see the symbol. Never use the same safety belt for passenger and wheelchair/commode chair.



1. As user, transfer to a seat of the car, see §4.4.
2. Store the wheelchair/commode chair in the luggage compartment or behind the passenger seat. If luggage and passenger compartments are NOT separated or enclosed, fasten the wheelchair/commode chair frame securely to the vehicle. You can use the available safety belt in the vehicle.

### 3.5 Storage

- i** Make sure that your wheelchair/commode chair is stored clean and dry to prevent mould from growing or the upholstery from being damaged, see also chapter 7.



# 4 Using your wheelchair/commode chair

**CAUTION** Risk of injuries and/or damage

- Make sure that your hands, clothes, belts, buckles or jewellery won't get caught by wheels or other moving parts, during use or adjustment.
- Always keep the swing range of the footplate in mind to prevent bystanders from being injured or objects from being damaged.

## 4.1 Armrest

To open:

- Pull lever (20) and swing the armrest (2) to the back.

To remove:

- Pull lever (20) and pull the armrest (2) upwards until it comes out of both tube hoods.

To install:

1. Mount the rear tube of the armrest in the tube hood (21).
2. Fold the armrest forward.
3. Pull the lever (20) while inserting the front tube in tube hood (22).
4. Check that the armrest is well tightened.



## 4.2 Brakes

**CAUTION** Risk of injuries

- Depending on the location of the brakes, the brakes are operated by an attendant or by the user sitting in the chair. Never lean too far to the left or right trying to operate the brakes.
- Never release both brakes simultaneously.
- Do not use the parking brakes to slow the wheelchair/commode chair down during movements.
- Brakes may only be adjusted by your specialist dealer.

Your chair is equipped with two manually-operated parking brakes. These brakes are intended to prevent movement of the chair when parked. Depending on the location of the brakes, they are operated by pushing or pulling the brake lever.

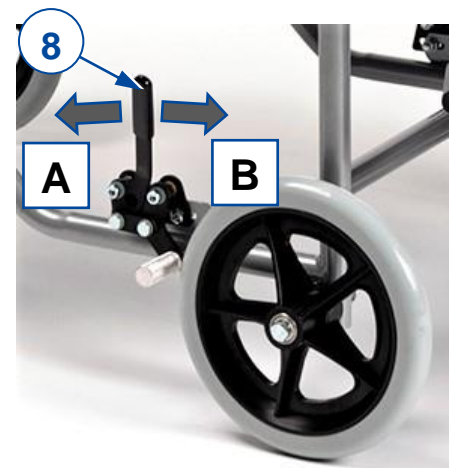
### 4.2.1 Parking brakes for 24" and 5" model

Releasing brakes:

1. Hold one hand rim tight with one hand (or your attendant holds the push bar with one hand).
2. Operate brake lever (8) of the OTHER wheel to release the wheel.
3. Repeat this for the second wheel and parking brake.

Applying brakes:

1. Hold one hand rim tight with one hand (or your attendant holds the push bar with one hand).





2. Operate brake lever (8) of the OTHER wheel until you feel a distinctive lock.
3. Repeat this for the second wheel and parking brake.

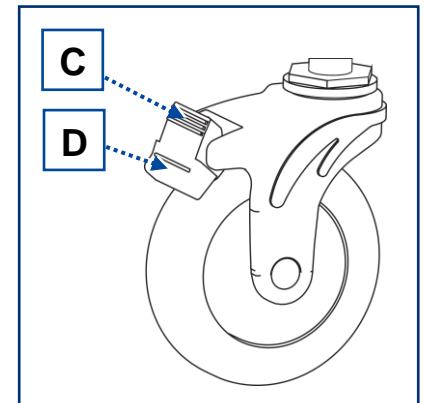
#### 4.2.2 Parking brakes for swivelling wheels

##### *Releasing brakes [C]:*

Use your foot to press the top of the brake lever backwards.

##### *Applying brakes [D]:*

Use your foot to press the brake lever down towards the castor wheel.



### 4.3 Comfort adjustments



CAUTION

Risk of injuries and damage

- Always keep the swing range of footrest in mind to prevent bystanders from getting injured or objects from being damaged.
- Make sure that your fingers, clothes, buckles won't get entrapped during adjustment.

#### 4.3.1 Adjust backrest inclination

1. Loosen both locking knobs (17) of the adjustment system, at left and right side. The backrest will move to the front.
2. Push the backrest in position and lock the position by tightening both locking knobs (17) firmly.
3. Check by moving the backrest.



#### 4.3.2 Leg rest inclination

- To raise: Pull the leg rest (12) up to the desired height.
- To lower: hold the footrest with one hand and push the operating lever (26) to release the leg rest. Lower the leg rest up to the desired height and release the operating lever (26).





## 4.4 Moving to/from the chair



CAUTION

Risk of injuries and damage

- In case you cannot perform the transfer in a safe manner, ask someone to assist you.
- Do not stand on the footplates during transfer into or out of the wheelchair/commode chair.

### *Transfer*

1. Position the wheelchair/commode chair as close as possible to you when sitting in your chair, couch, seat or bed.
1. Apply both parking brakes to block the movement, see §4.2.
2. Fold the footplates upwards to prevent standing on them.
3. If the transfer is on the side of the wheelchair, turn the arm rest on that side upwards.
4. Transfer to/from the wheelchair/commode chair using the strength of your arms or with the help of attendant(s) or lifting equipment.

### *Sitting in the wheelchair/commode chair*

1. Sit down on the seat with your lower back against the backrest.
2. Turn the footplate down and put your feet on the footplate.

## 4.5 Riding



CAUTION

Risk of injuries and damage

- Before every usage, make sure that:
  - footplate adjustment is firmly secured, see §5.4.2.
  - parking brakes are working properly.
  - tires are in good condition, see §7.
- Prevent your fingers from being caught by the wheel spokes.
- Do not operate the hand rims with wet hands.
- Prevent entrapment of your hands on the hand rims when you pass small passages.
- Do NOT drive on slopes, obstacles, steps or kerbs larger than specified in §7.
- When you stop on a (small) slope, use your brakes.
- Make sure all four wheels touch the ground while riding up or down a slope.
- Take slopes as slow as possible.
- Always stay on the pavement when riding on public roads.
- Pay attention if the road has holes or gaps that may cause entrapment of the wheels.
- Avoid stones and other objects that may block the wheels.
- Make sure that the footplate does not touch ground while taking an obstacle.
- Do not use your wheelchair/commode chair on an escalator.
- If available, wear your safety belt.
- Always keep the swing range of the footplate in mind to prevent bystanders from being injured or objects from being damaged.
- If you have not enough experience driving your wheelchair/commode chair, ask assistance of an attendant. Keep your arms away from the wheels and keep your feet on the footplates.
- Stairs should always be negotiated with the help of two attendants. Only lift the wheelchair/commode chair with the frame tubes.
- Never try to use stairs that are not appropriate for wheelchair/commode chairs.

### 4.5.1 Riding your wheelchair yourself (24" wheels):

1. Release the brakes.
2. Take both hand rims at their highest position.
3. Lean forward and push the hand rims forward until your arms are straight.
4. Move your hands back to the top of the hand rims and repeat the movement.

## 5 Assembly and adjustments

The instructions in this chapter are for the user and the specialist dealer.

To find a service facility or specialist dealer near you, contact the nearest Vermeiren facility.



CAUTION

Risk of injuries or damage

- The wheelchair needs to be (dis)assembled and adjusted by a specialist dealer according to the instructions in this chapter.
- Only use parts and tools described in this manual.
- While (dis)assembling and operating the wheelchair, make sure no objects or body parts get caught between moving parts.
- Make sure all screws are firmly secured before driving.



Important remarks

- Be aware of the technical details and limits of intended use.
- For more information, contact Vermeiren.

### 5.1 Tools

To (dis)assemble and adjust the comfort chair/wheelchair, the following tools are needed:

- Wrench set no. 10
- Allen keyset n° 4

### 5.2 Scope of delivery

The following items are part of the delivery:

- Framework with seat, wheels, armrests and leg rests
- Backrest
- Tools
- User manual

Before use, check if everything is included and that no products are damaged.

Please note that the basic configuration may differ in different European countries. Contact your specialist dealer.

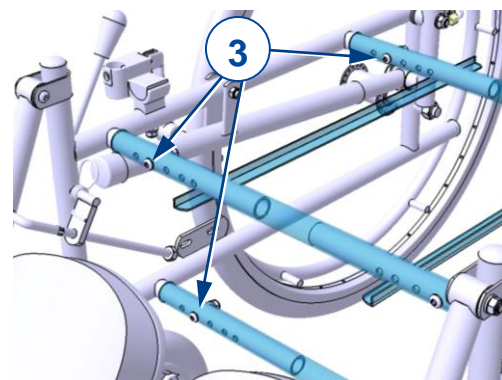
### 5.3 Assembly

The commode chair is delivered fully assembled, apart from the backrest. To install the backrest, put in into place and tighten the bolts to fasten.

### 5.4 Adjustments

#### 5.4.1 Seat width

1. Remove the seat by pulling it up and forwards from the frame tubes.
2. Remove the backrest.
3. On one side of the frame, remove the 3 screw-bolt connections (3) on the side of the seat frame tubes.
4. Slide the inner tubes inwards/outwards to the desired position (5 possible positions).
5. Replace the screw-bolt connections (3) and tighten firmly.
6. Repeat the steps above for the other side of the frame.
7. Replace the seat and backrest.



Please note that there is a corresponding seat cushion and backrest for each seat width.

### 5.4.2 Footrest length

1. Loosen socket screw (25) until the footrest (14) is released.
2. Slide the footrest (14) in/out of the leg-rest tube (12) to the desired length.
3. Tighten the socket screw (25) firmly.
4. Repeat this for the second footrest.
5. Make sure that both footrests are at the same height, and that they are firmly secured.



## 6 Maintenance

### 6.1 Points of maintenance

 CAUTION Risk of injuries and damage

Repairs and replacements may only be undertaken by trained persons and only genuine replacement parts of Vermeiren should be used.

**i** The service frequency depends on the frequency and intensity of use. Contact your dealer to agree to a common timetable for inspection/maintenance/repair.

For the maintenance manual, refer to our website: [www.vermeiren.com](http://www.vermeiren.com).

*After use*

Clean the bowl after each use, see §6.2.2.

*Once a week*

Clean the commode chair when needed after use, otherwise at least once a week.

*Once every 6 months*

Inspect the following points:

- All parts: Present and undamaged or unworn.
- All parts: Clean, see §6.2.2.
- Wheels, footrests and footplates: Well secured.
- Condition of wheels / tires, see §6.2.1;
- Condition of brakes, see §6.2.1
- Condition of frame: No deformation, instability, weakness or loose connections
- Condition of backrest folding mechanism: Properly working and locking.
- Condition of footrest mechanism: Properly working and locking.
- Condition of bowl and suspension system: Properly working and locking.
- Seat and backrest: No excessive wear (like dented spots, damage or tears).

### 6.2 Instructions for maintenance

#### 6.2.1 Wheels and tyres

**i** Proper working of the brakes depends on the state of the wheels or tyres, that can change due to wear and contamination (water, oil, mud, ...).

Keep your wheels free of wires, hair, sand and fibres.

Check the profile of the tyres, if applicable. If the tread depth is less than 1 mm, the tyres need to be replaced. Contact your specialist dealer for this matter.

#### 6.2.2 Cleaning

Wipe all rigid parts of the wheelchair/commode chair with a damp cloth (not drenched). If necessary, use a mild soap, suitable for varnishes and synthetics.

The upholstery can be cleaned with lukewarm water and a mild soap. Do not use abrasive cleaning agents to clean.

After emptying the bowl in the toilet, rinse it with water and soap. Clean and dry it with toilet paper.



### 6.2.3 Disinfection

CAUTION

Risk of damage

Disinfection of the commode chair may only be undertaken by trained persons. Consult your specialist dealer.

To disinfect the bowl, use a disinfectant suitable for PVC.

## 6.3 Troubleshooting



WARNING

Risk of injuries and damage

- NEVER attempt to repair the commode chair/wheelchair yourself.

The following symptoms may indicate a serious problem. Therefore always contact your specialist dealer always if you spot any of following deviations:

- Strange sound;
- Uneven tread wear at one of the tyres;
- Jerky movements;
- Wheelchair/commode chair deflects to one side;
- Damaged or broken wheel assemblies.

## 6.4 End of use

At end of life, you need to dispose your wheelchair/commode chair according to the local environmental legislation. The best way to do so, is to disassemble the wheelchair/commode chair to facilitate the transport of recyclable parts.

## 7 Technical specifications

The technical details below are only valid for this wheelchair/commode chair, at standard settings and optimal ambient conditions. Take these details into account during use. The values are no longer applicable if your wheelchair/commode chair has been modified, damaged or suffers from severe wear.

Table 1: Technical specifications

<b>Brand</b>	<b>VERMEIREN</b>	
<b>Type</b>	<b>Wheelchair/commode chair</b>	
<b>Model</b>	<b>9300 Model series</b>	
<b>Max. occupant mass</b>	<b>100 kg</b>	

Description	Dimensions				
	9300	9301	9302	9303	
Overall length with leg rest	1100 mm	890 mm	840 mm	850 mm	
Overall width	620 – 660 – 690 – 730 – 760 mm		580 – 620 – 650 – 690 – 720 mm	520 – 560 – 590 – 630 – 660 mm	
Total height	1070 mm				
Total mass	25,5 kg	26,5 kg	24,5 kg	23,5 kg	
Seat plane angle	2°				
Effective seat depth	450 mm				
Effective seat width	390 – 430 – 460 – 500 – 530 mm				
Seat surface height at front edge	500 mm	500 mm	500 mm	470 mm	
Backrest angle	92° - 149°				
Backrest height	580 mm				
Footrest to seat distance	305 – 445 mm				
Leg to seat surface angle	100° - 180°				
Armrest to seat distance	260 mm				
Front location of armrest structure	380 mm				
Handrim diameter	535 mm				
Bucket content	5 litres				
Swivelling wheels	without brake with brake	NA NA	NA NA	NA NA	100x20 (2x) 100x20 (2x)
Wheels, Krypton model, soft	200 x 30 (2x, front)	200 x 30 (2x, rear)	200 x 30 (4x)		NA
Full wheels, 24" x 1 3/8" diameter	Rear	Front	NA	NA	NA
Parking brake	On rear wheels	On front wheels	On front wheels	On rear wheels	On rear wheels
Primary use	Indoor, outdoor	Indoor, outdoor	Indoor	Indoor only	Indoor only
Maximum safe slope	4,5°	4,5°	4,5°	4,5°	4,5°
Storage and use temperature	-25°C ~ +50°C				
Storage and use humidity	0% ~ 90%				
We reserve the right to introduce technical changes. Measurement tolerance ± 15 mm / 1,5 kg / 1,5°.					

